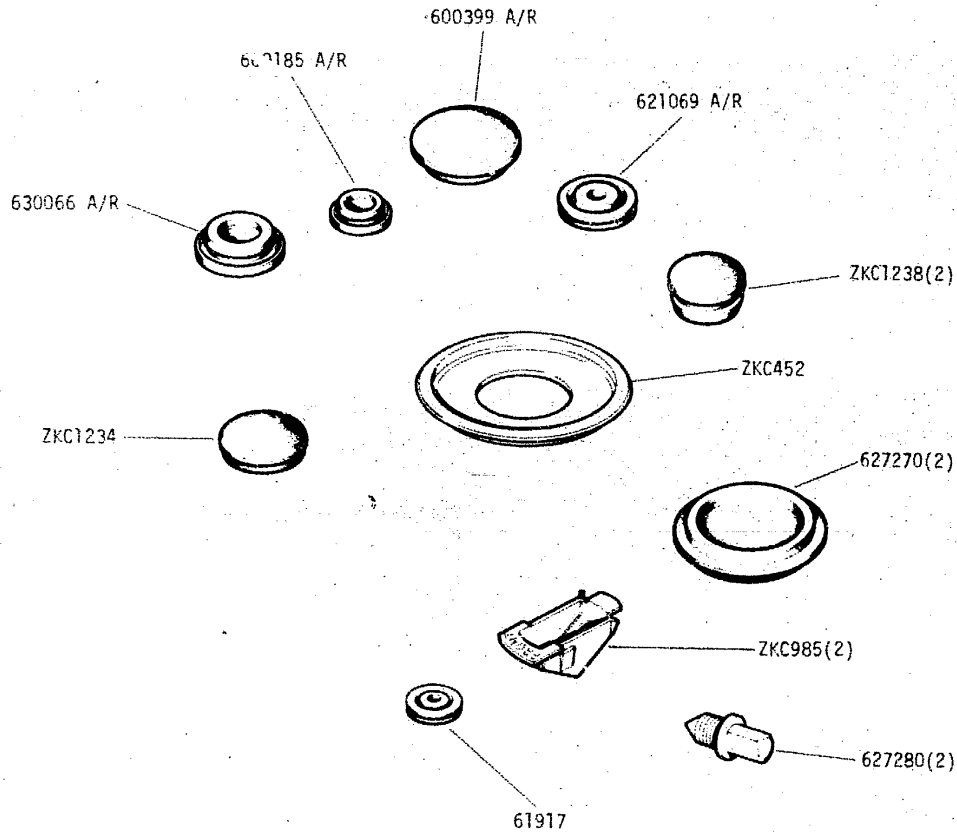
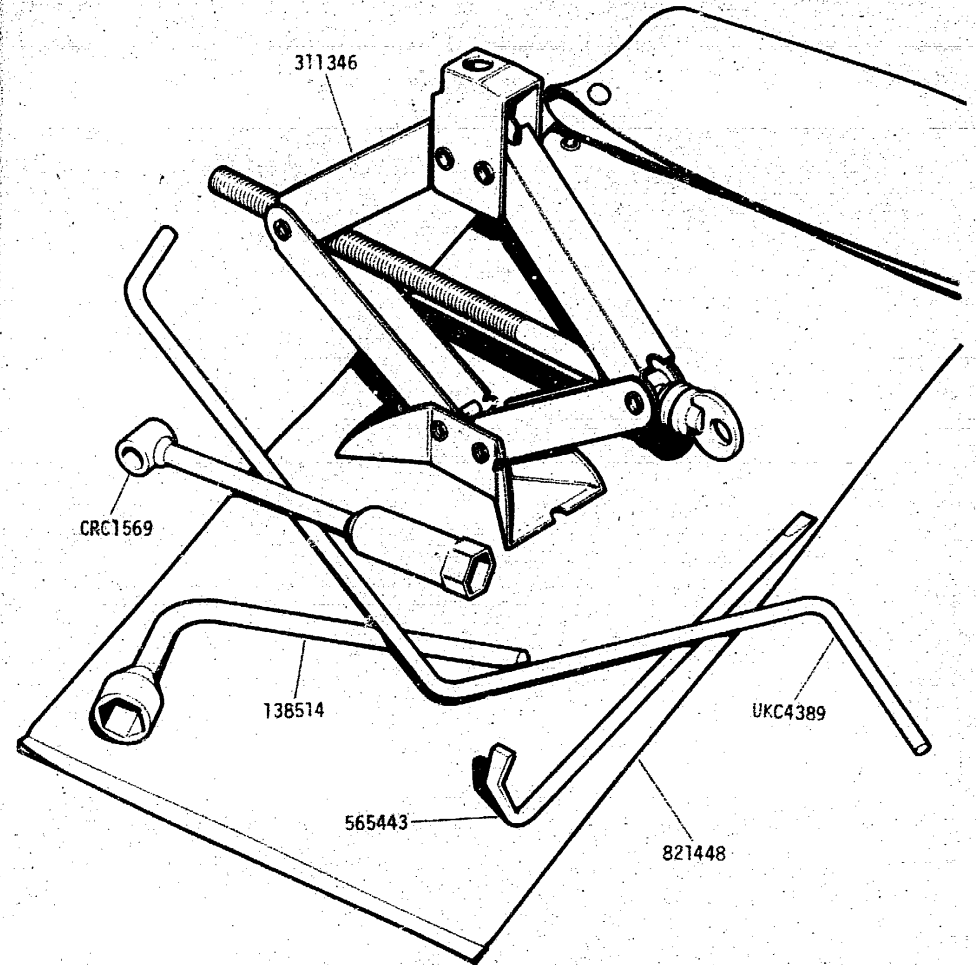


GROUP N
CONSUMABLES - Blanking Plugs, Grommets



GROUP N
TOOL KIT



TR8

2E 02L

B5041

TR8

2E 02R

B4848

GROUP INDEX

Introduction	1B 2B	Steering	1G
Engine	1C	Brakes and Brake Controls	1H
Flywheel and Clutch	1D	Fuel, Exhaust and Emission Systems	1I - J
Gearbox and Propshaft	1E	Cooling, Heating and Air Conditioning	1K
Axles, Suspension, Drive Shafts, Wheels	1F	Electrical, Washers-Wipers, Instruments	1L - M

Chassis, Subframes, Bodyshell, Fittings	2C
Fascia, Trim, Seats and Fixings	2D
Miscellaneous	2E
Numerical Index	2F

2E02

GROUP N
CONSUMABLES - Touch-in-paint

- GAP302 Carmine
- GAP402 Russet Brown
- GAP403 Inca Yellow
- GAP397 Brooklands Green
- GAP417 Pageant Blue
- GAP418 Vermillion
- GAP415 Leyland White
- GAP625 Pendelican
- GAP626 Turmeric
- GAP630 Richelieu
- GAP639 Poseidon (Metallic)
- GAP629 Platinum (Metallic)
- GAP640 Persian Aqua (Metallic)
- GAP625 Pendelican
- GAP643 Carnelian
- GAP627 Midas (Metallic)
- GAP645 Triton (Metallic)
- GAP623 Black Porcelain
- GAP658 Aran Beige
- GAP659 Argent Silver
- GAP661 Bordeaux Red
- GAP662 Cavalry Blue
- GAP663 Pharaoh Gold



- GTU415 Leyland White
- GTU417 Pageant Blue
- GTU418 Vermillion
- GTU302 Carmine
- GTU402 Russet Brown
- GTU403 Inca Yellow
- GTU397 Brooklands Green

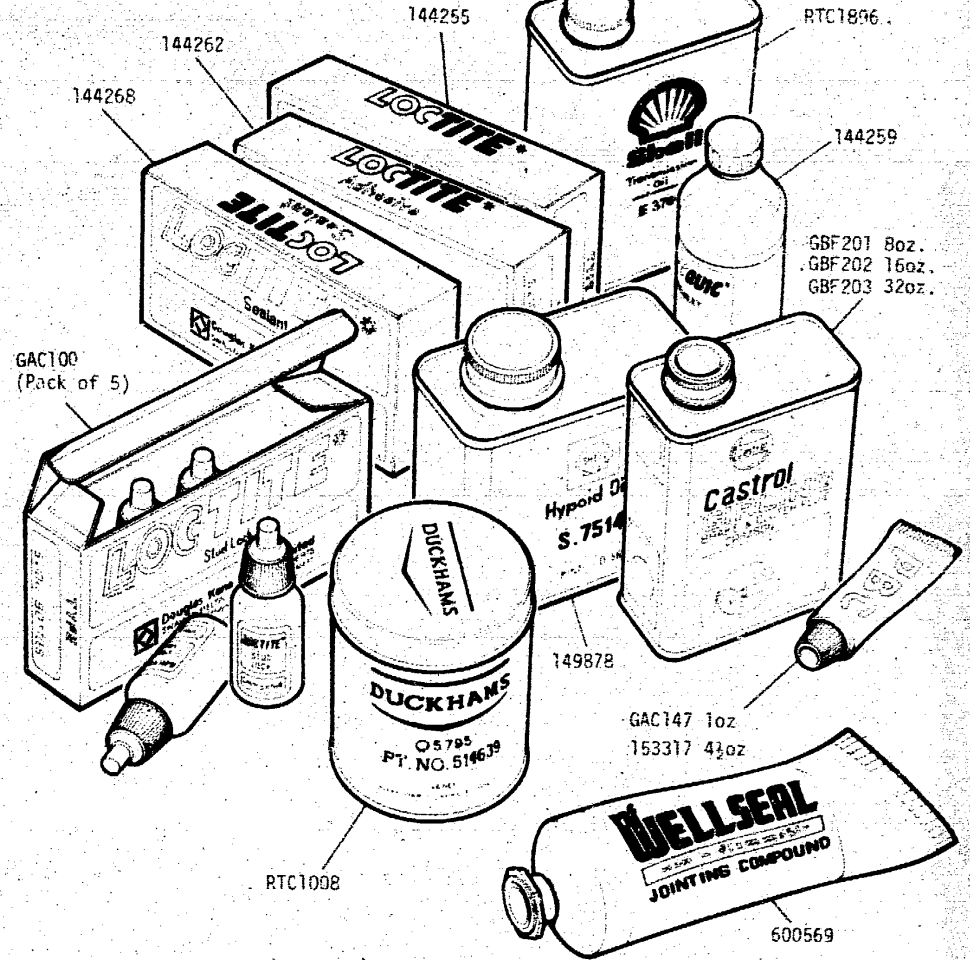


TR8 2E 03L B7150

GROUP INDEX

Introduction	1B 2B	Steering	1G
Engine	1C	Brakes and Brake Controls	1H
Flywheel and Clutch	1D	Fuel, Exhaust and Emission Systems	1I - J
Gearbox and Propshaft	1E	Cooling, Heating and Air Conditioning	1K
Axles, Suspension, Drive Shafts, Wheels	1F	Electrical, Washers-Wipers, Instruments	1L - M

GROUP N
CONSUMABLES - Loctite Seal, Fluid, P.B.C. Grease



TR8 2E 03R B4990

2E03

Chassis, Subframes, Bodyshell, Fittings	2C
Fascia, Trim, Seats and Fixings	2D
Miscellaneous	2E
Numerical Index	2F